



Welcome To PLECTRA

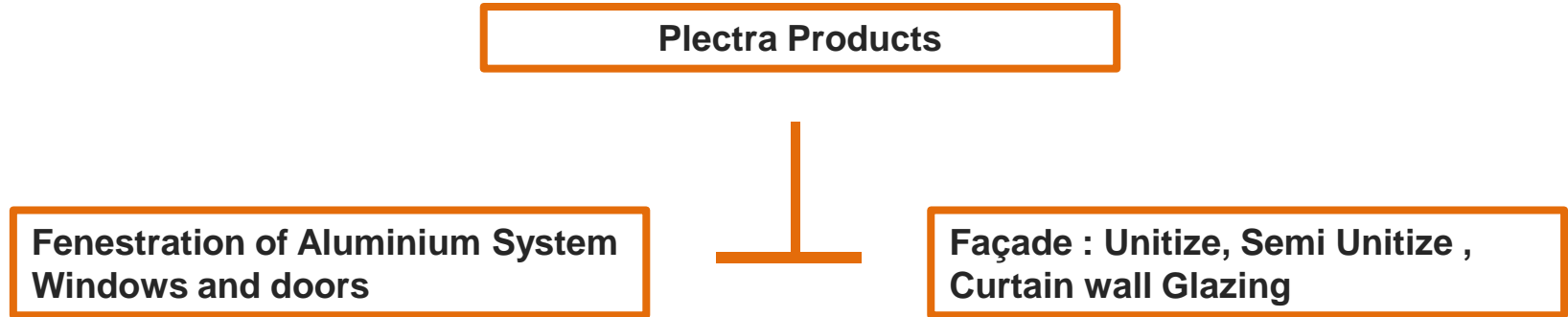
Aluminium System Windows
Doors & Façade
Solution

INSPIRE DESIGN INNOVATION

ABOUT PLECTRA

- **Plectra Industries, the pioneer Aluminium System Company in India provides you with an extensive range of Aluminium windows, doors, sliding systems and façade systems. Located in Ahmedabad, Gujarat, Plectra operates under PAN-India.**
- **The company belongs to the House of Dharti Buildcon Group of Companies, known for its excelled contribution in the Real Estate Segment.**
- **Plectra is equipped with the series of best German-made machinery from ELUMATEC, German. For achieving the World class standards in quality production.**
- **We take this opportunity to introduce ourselves as the leading Aluminium Façade Industry based in Ahmedabad, Gujarat and operating PAN-India.**
- **Plectra is the Product Innovation from the house of Dharti Buildcon Group of Companies excelled in Real estate Segment and having successfully completed multiple Residential, Commercial, Township, Industrial and Resort projects**

- Plectra is spread over 100000 Sq Ft. total land area which includes 60000 Sq Ft. factory area having all advance facility and amenities with world class computer operated Machines
- we are known as the "one-stop-shop" solution for design, sourcing, finishing, delivery and installation of aluminium systems.

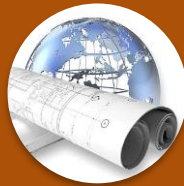


Project Management

Project Management is the discipline of planning, organizing and managing resources to bring about the successful completion of specific project goals and objectives. has developed a sound expertise of handling all types of projects. This expertise has ability to takes responsibility for planning, maintaining high levels of accuracy and managing to deliver success on a project.



Customer
Enquiry



Initial
Design



Quotation



Site
Survey



Project
Design



Manufactur
ing



Installation



Product Management



- Imported aluminium section
- Indian Aluminum section.



- structural stability.
- Wind pressure.
- Acoustic
- Thermal properties
- Aesthetics.



- structural stability.
- Wind pressure.
- Acoustic
- Thermal properties
- Angularity.



- Remove oil and dust deposited on profile length before send powder coat plant and anodizing.
- Coating Option
Powder Coating.
Anodizing.



- Fabrication by all German ELUMA TEC Machinery.
- Optimization and designing by LO GIKAL ORGADATA software.
- Own developed imported hardware.



- Installation by our trained skilled worker .
- Under observation of our supervisor and our engineer.

PLECTRA – PS 19 Slim Sliding Series

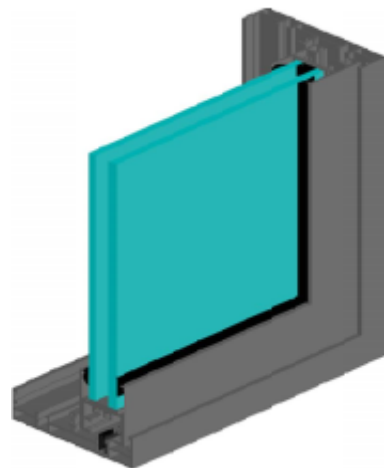
PRODUCT DETAILS

DESIGN :

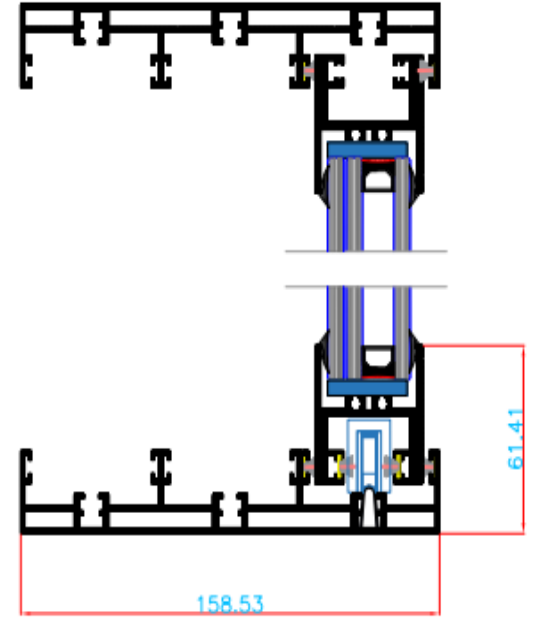
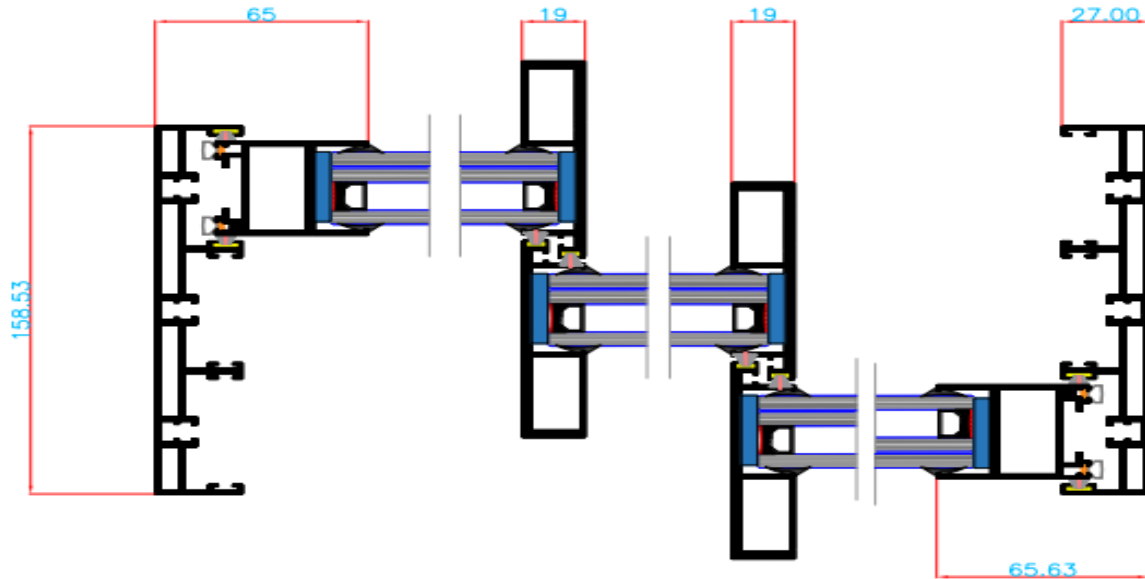
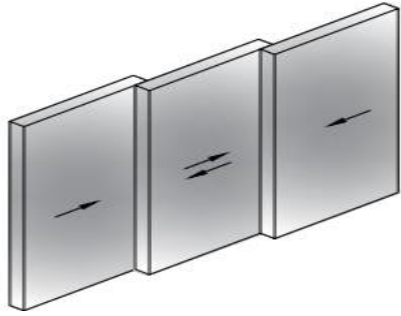
- 1) Two,Three Outer Frame Uses.
- 2) Glass Thickness Max: 32mm Uses.
- 3) Sash Weight Capacity: 600kg (2400mmx4100mm)
- 4) Sash Max Height 4100mm Uses.
- 5) Profile Thickness 2mm TO 3mm uses.

Technical Details:

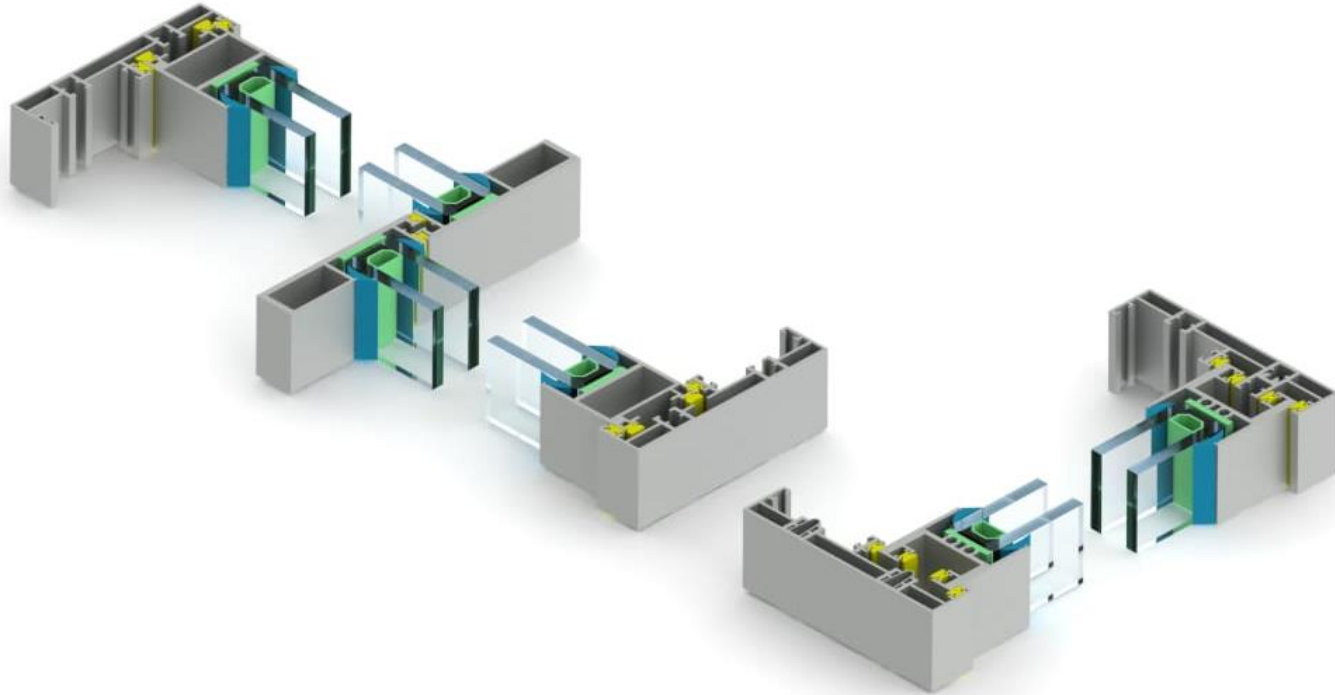
- 1) Aluminum T6 Alloy 6063 Grade.
- 2) All the Aluminum profiles shall be supplied in Powder coating and Anodize finish
- 3) Accessories & Hardware: Single and Multi point Locking Handle in standard European black and white color, where applicable.
- 4) Saint Gobin, AIS, HNG Glass will be used
- 5) Coating will be carry a 15th to 20th. Years Warranty (60–70micron Qualiquote standers)
Anodize will be carry a 10th to 15th. Years Warranty (20–25micron Qualiquote standers)
- 6) MICRO CURING EPDM Gasket will be used in Window and Doors with TC
- 7) Windows and Doors are internally glazed for added security
- 8) Dow Corning branded sealants will be used in all Windows & Doors
- 9) Drainage will be incorporated in all Windows
- 10) All Windows are Pneumatically crimped or Mechanical Joint



Information Drawing – PS 19 Slim Series



3D View – PS 19 Slim Series



PLECTRA – PS 22 Slim Sliding Series

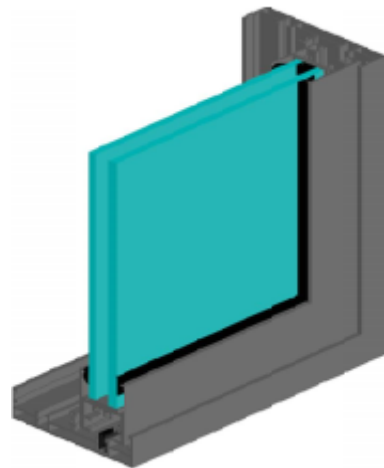
PRODUCT DETAILS

DESIGN :

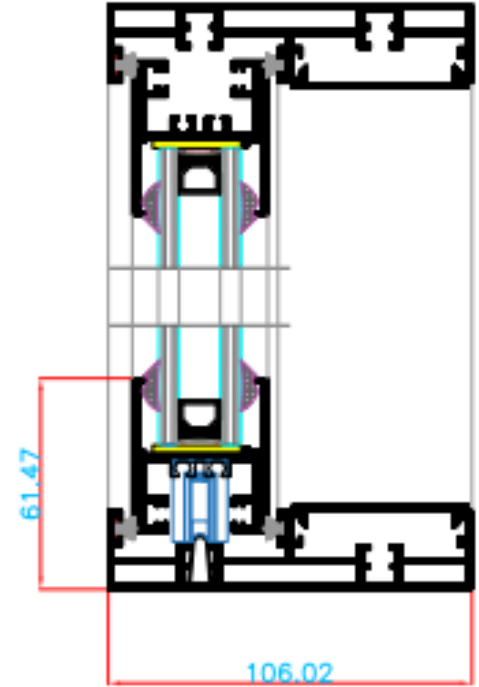
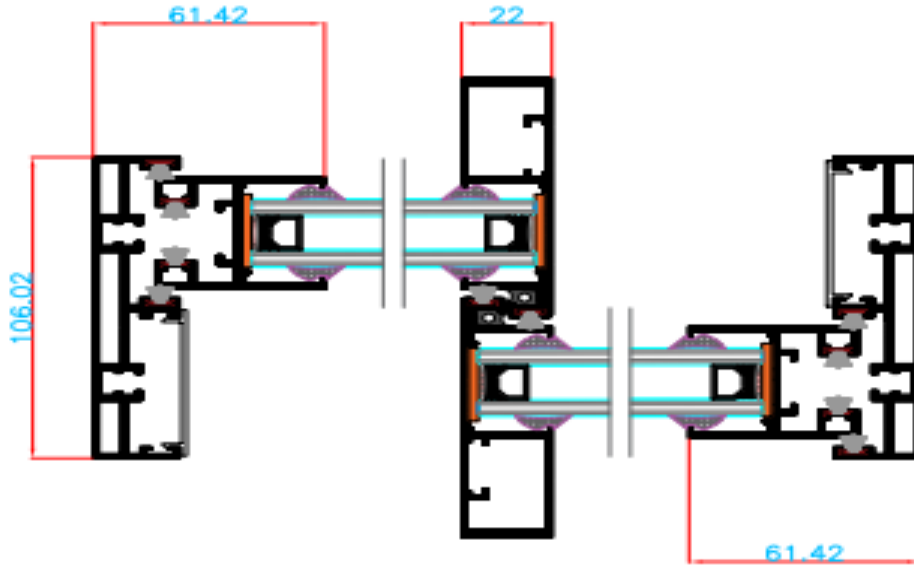
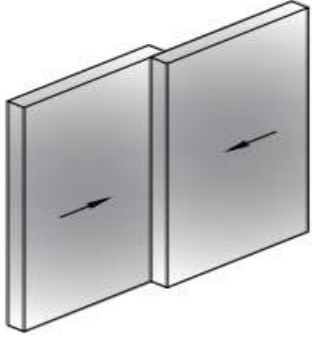
- 1) Two, Three Outer Frame Uses.
- 2) Glass Thickness Max: 26mm Uses.
- 3) Sash Weight Capacity: 400kg (2400mmx3965mm)
- 4) Sash Max Height 4000mm Uses.
- 5) Profile Thickness 2mm uses.

Technical Details:

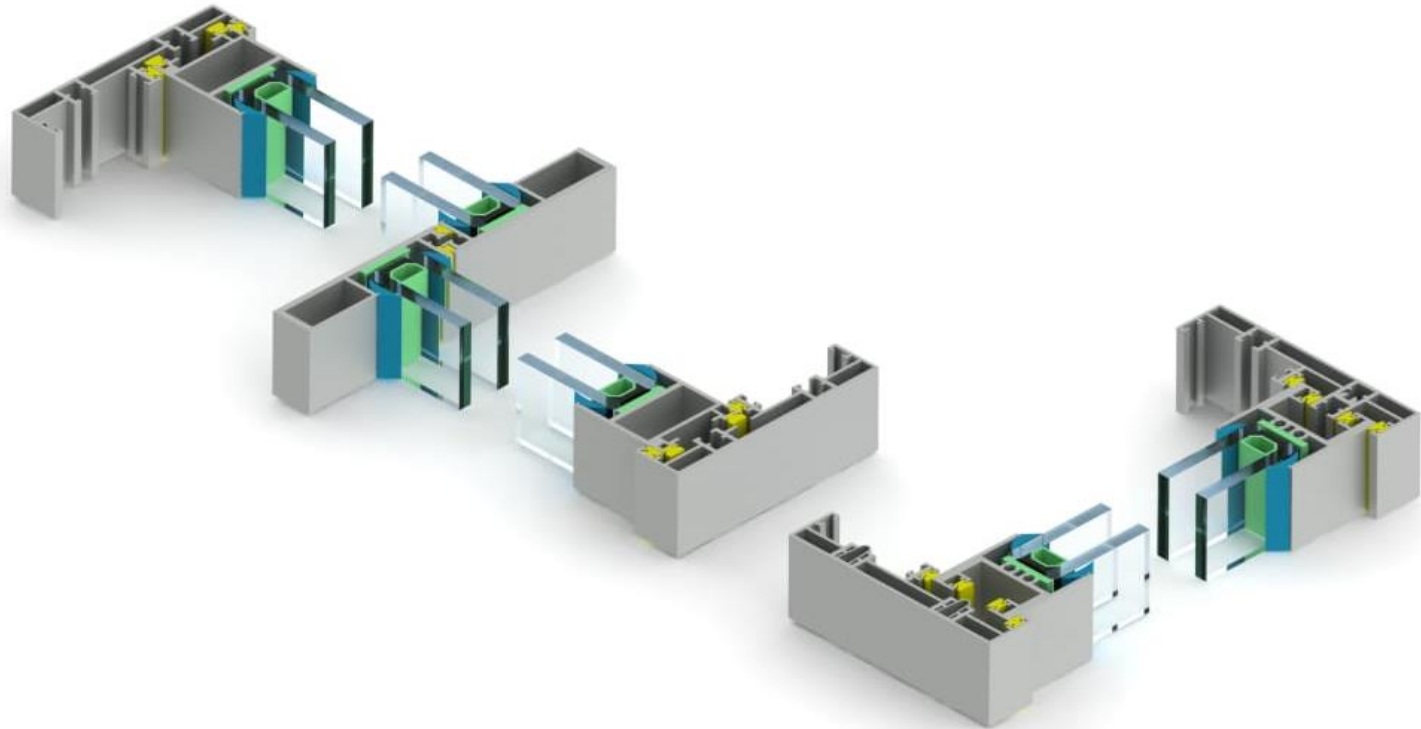
- 1) Aluminum T6 Alloy 6063 Grade.
- 2) All the Aluminum profiles shall be supplied in Powder coating and Anodize finish
- 3) Accessories & Hardware: Single and Multi point Locking Handle in standard European black and white color, where applicable.
- 4) Saint Gobin, AIS, HNG Glass will be used
- 5) Coating will be carry a 15th to 20th. Years Warranty (60–70micron Qualiquote standers, Anodize will be carry a 10th to 15th. Years Warranty (20–25micron Qualiquote standers,)
- 6) MICRO CURING EPDM Gasket will be used in Window and Doors with TC
- 7) Windows and Doors are internally glazed for added security
- 8) Dow Corning branded sealants will be used in all Windows & Doors
- 9) Drainage will be incorporated in all Windows
- 10) All Windows are Pneumatically crimped or Mechanical Joint



Information Drawing – PS 22 Slim Series



3D View – PS 22 Slim Series



PLECTRA – PS 28 Slim Sliding Series

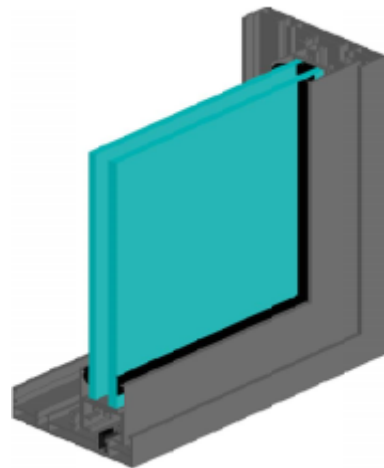
PRODUCT DETAILS

DESIGN :

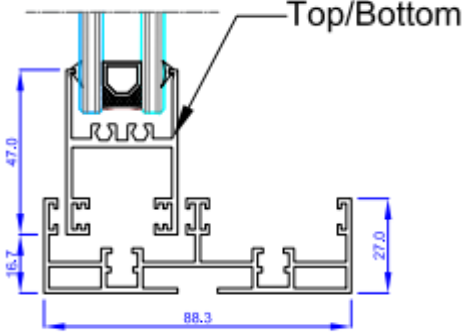
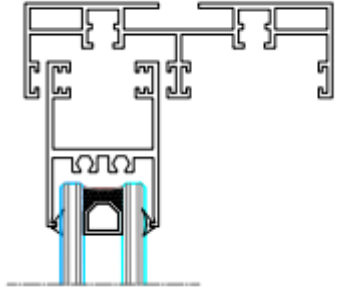
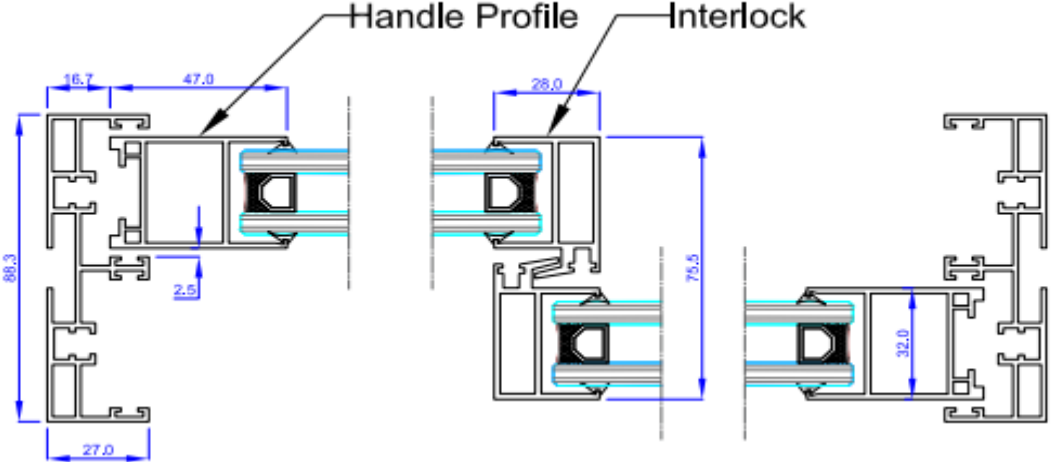
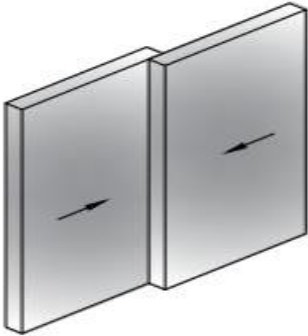
- 1) Two,Three Outer Frame Uses.
- 2) Glass Thickness Max:18mm Uses.
- 3) Sash Weight Capacity:150kg (1500mmx2440mm)
- 4) Sash Max Height 3050mm Uses.

Technical Details:

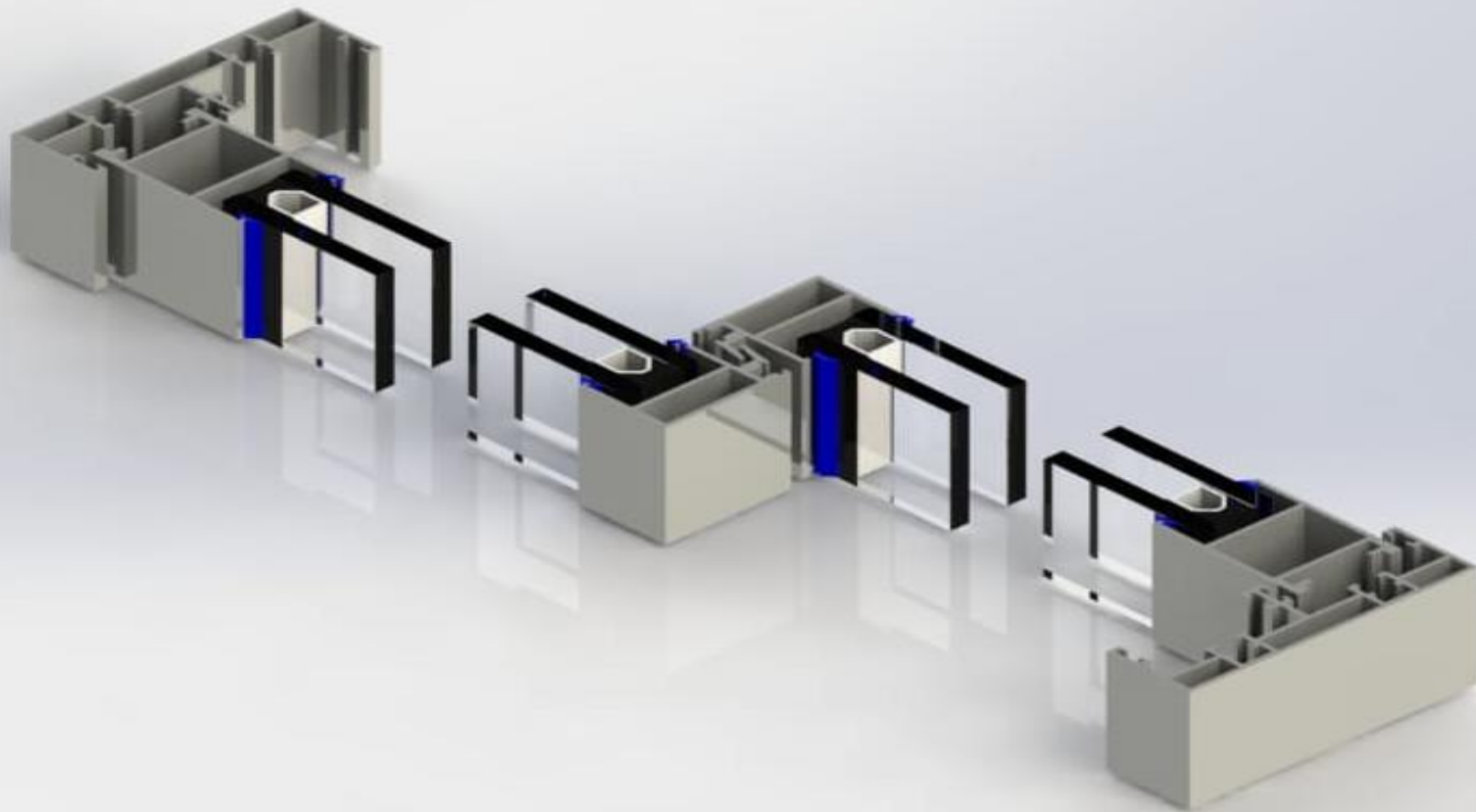
- 1) Aluminum T6 Alloy 6063 Grade.
- 2) All the Aluminum profiles shall be supplied in Powder coating and Anodize finish
- 3) Accessories & Hardware: Single and Multi point Locking Handle in standard European black and white color, where applicable.
- 4) Saint Gobin, AIS, HNG Glass will be used
- 5) Coating will be carry a 15th to 20th. Years Warranty (60–70micron Qualiquote standers, Anodize will be carry a 10th to 15th. Years Warranty (20–25micron Qualiquote standers)
- 6) MICRO CURING EPDM Gasket will be used in Window and Doors with TC
- 7) Windows and Doors are internally glazed for added security
- 8) Dow Corning branded sealants will be used in all Windows & Doors
- 9) Drainage will be incorporated in all Windows
- 10) All Windows are Pneumatically crimped or Mechanical Joint



Information Drawing – PS 28 Series



3D View – PS 28 Series



PLECTRA – PS 65 Sliding Series

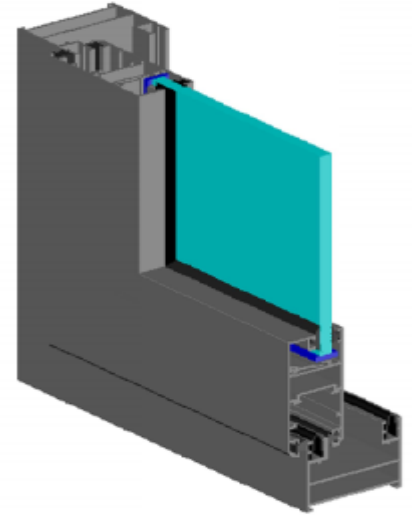
PRODUCT DETAILS

DESIGN :

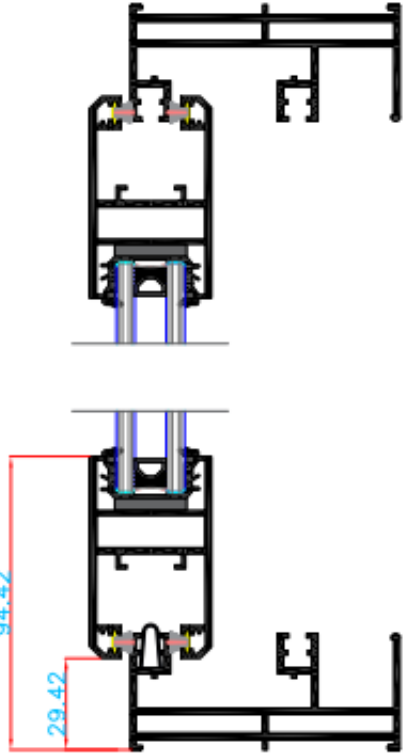
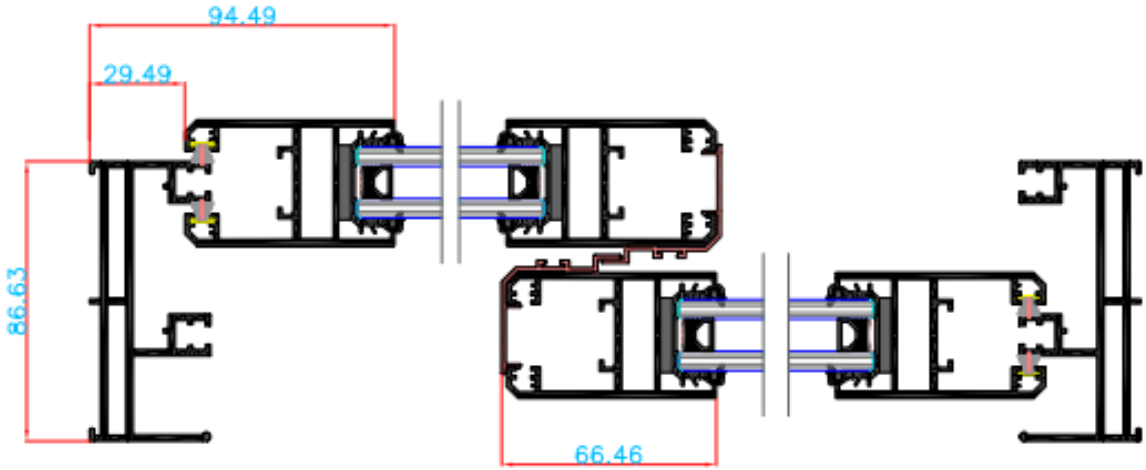
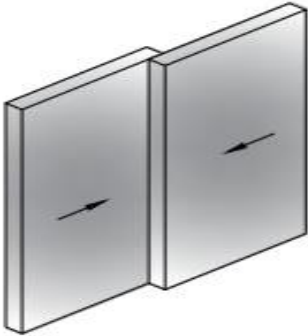
- 1) Two,Three Outer Frame Uses.
- 2) Glass Thickness Max:18mm Uses.
- 3) Sash Weight Capacity:150kg (1500mmx2440mm)
- 4) Sash Max Height 3050mm Uses.

Technical Details:

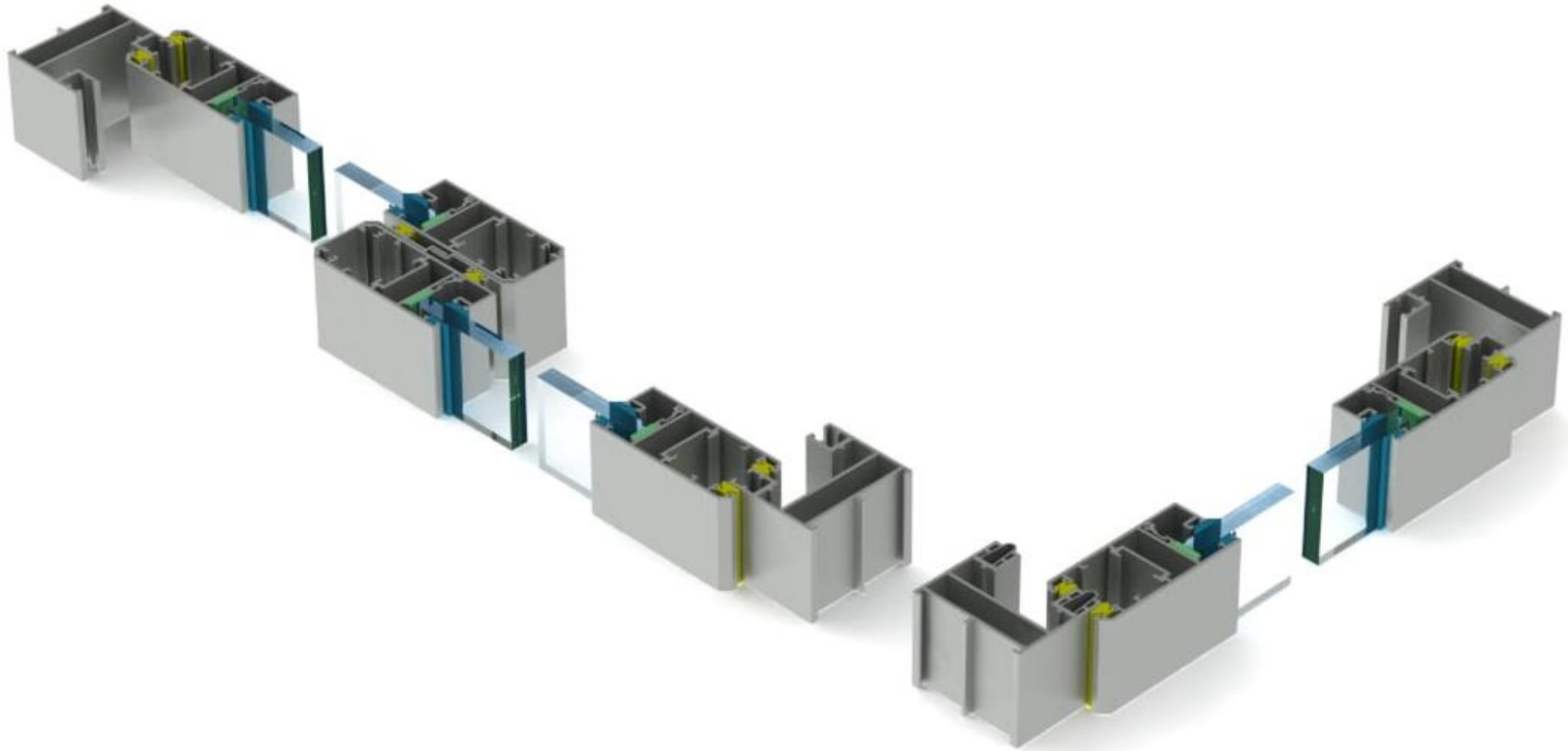
- 1) Aluminum T6 Alloy 6063 Grade.
- 2) All the Aluminum profiles shall be supplied in Powder coating and Anodize finish
- 3) Accessories & Hardware: Single and Multi point Locking Handle in standard European black and white color, where applicable.
- 4) Saint Gobin, AIS, HNG Glass will be used
- 5) Coating will be carry a 15th to 20th. Years Warranty (60–70micron Qualiquote standers)
Anodize will be carry a 10th to 15th. Years Warranty (20–25micron Qualiquote standers)
- 6) MICRO CURING EPDM Gasket will be used in Window and Doors with TC
- 7) Windows and Doors are internally glazed for added security
- 8) Dow Corning branded sealants will be used in all Windows & Doors
- 9) Drainage will be incorporated in all Windows
- 10) All Windows are Pneumatically crimped or Mechanical Joint



Information Drawing – PS 65 Series



3D View – PS 65 Series



PLECTRA – PS 40 Series

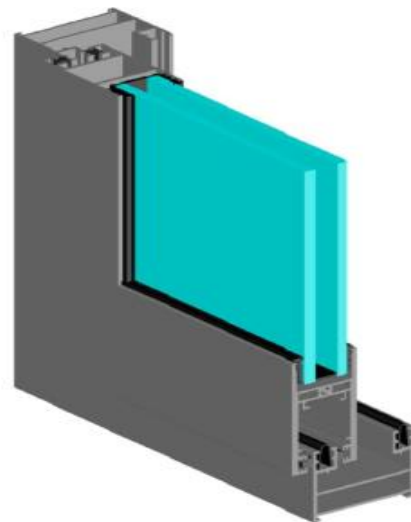
PRODUCT DETAILS

DESIGN :

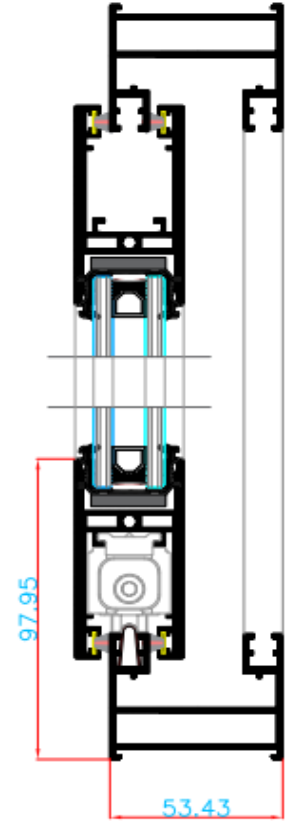
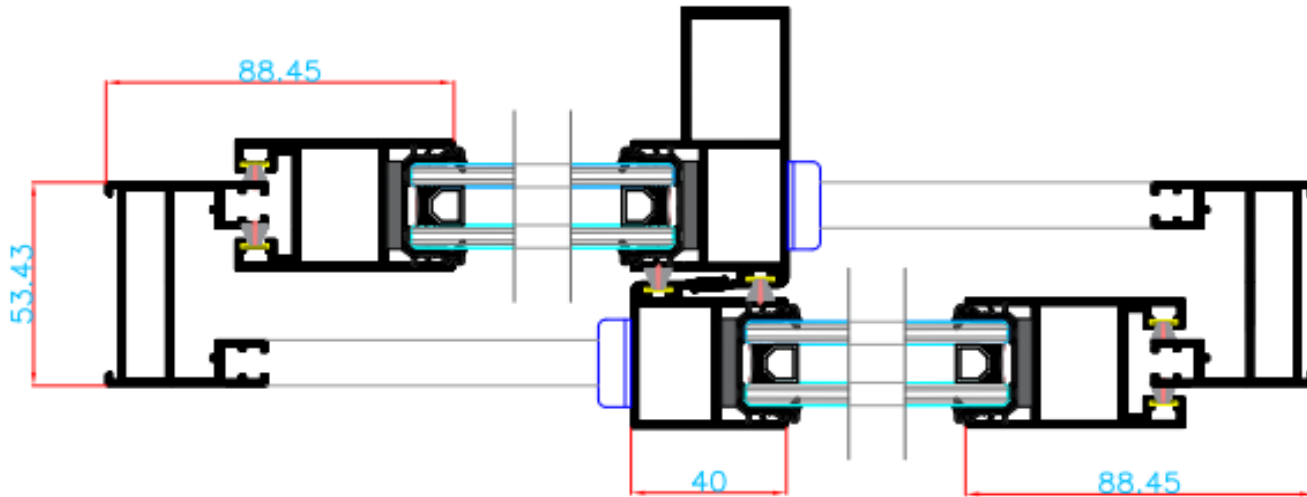
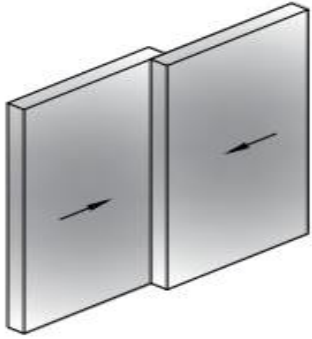
- 1) Two, Three & Monorail Outer Frame Uses.
- 2) Glass Thickness Max: 24mm Uses.
- 3) Sash Weight Capacity: 250kg (1800mmx3050mm)
- 4) Sash Max Height 3660mm Uses.

Technical Details:

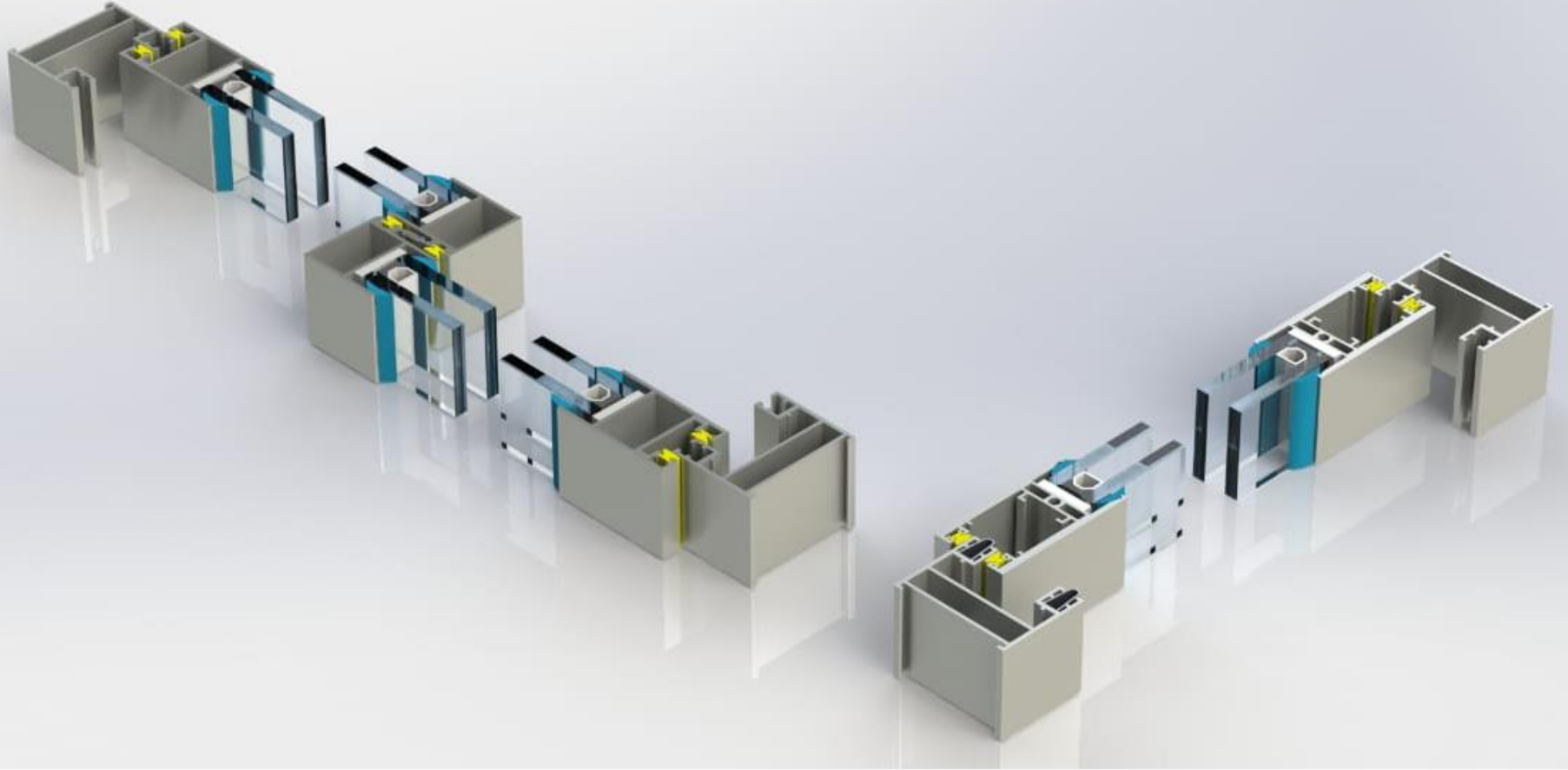
- 1) Aluminum T6 Alloy 6063 Grade.
- 2) All the Aluminum profiles shall be supplied in Powder coating and Anodize finish
- 3) Accessories & Hardware: Single and Multi point Locking Handle in standard European black and white color, where applicable.
- 4) Saint Gobin, AIS, HNG Glass will be used
- 5) Coating will be carry a 15th to 20th. Years Warranty (60–70micron Qualiquote standers)
Anodize will be carry a 10th to 15th. Years Warranty (20–25micron Qualiquote standers)
- 6) MICRO CURING EPDM Gasket will be used in Window and Doors with TC
- 7) Windows and Doors are internally glazed for added security
- 8) Dow Corning branded sealants will be used in all Windows & Doors
- 9) Drainage will be incorporated in all Windows
- 10) All Windows are Pneumatically crimped or Mechanical Joint



Information Drawing – PS 40 Series



3D View – PS 40 Series



PLECTRA – PS 45 Sliding Series

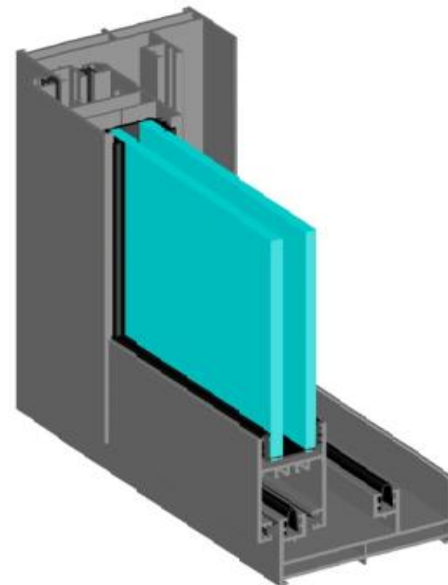
PRODUCT DETAILS

DESIGN :

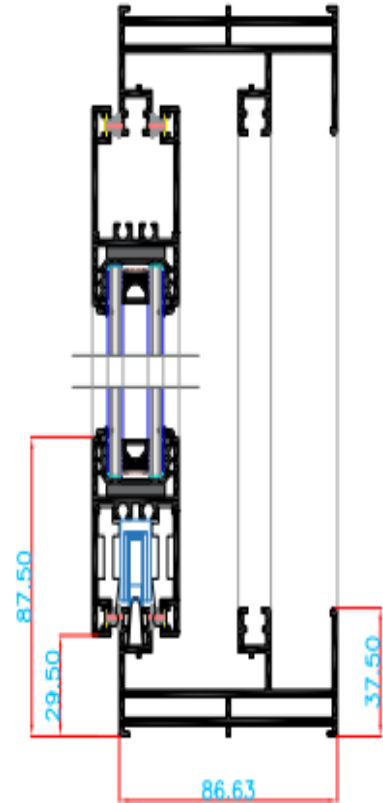
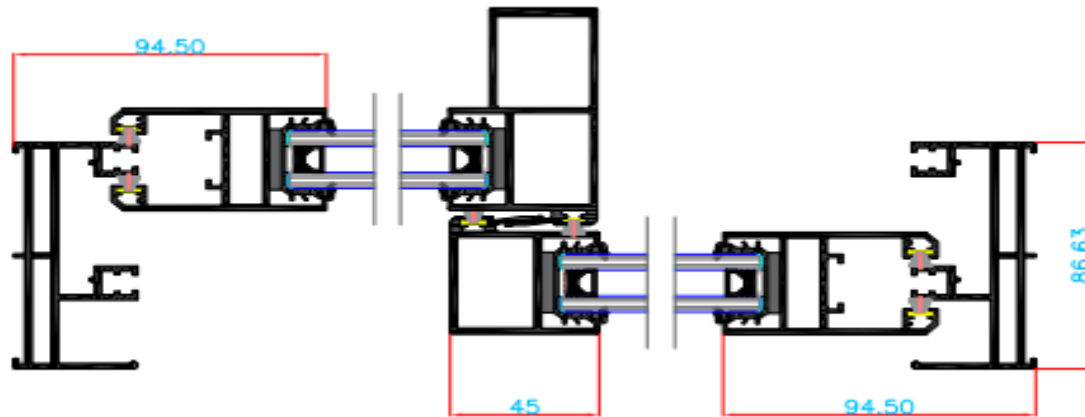
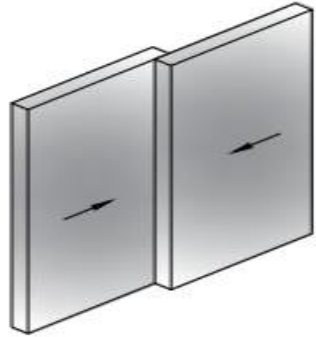
- 1) Two, Three & Four Outer Frame Uses.
- 2) Glass Thickness Max: 24mm Uses.
- 3) Sash Weight Capacity: 300kg (2400mmx3050mm)
- 4) Sash Max Height 3660mm Uses.
- 5) Profile Thickness 2mm uses.

Technical Details:

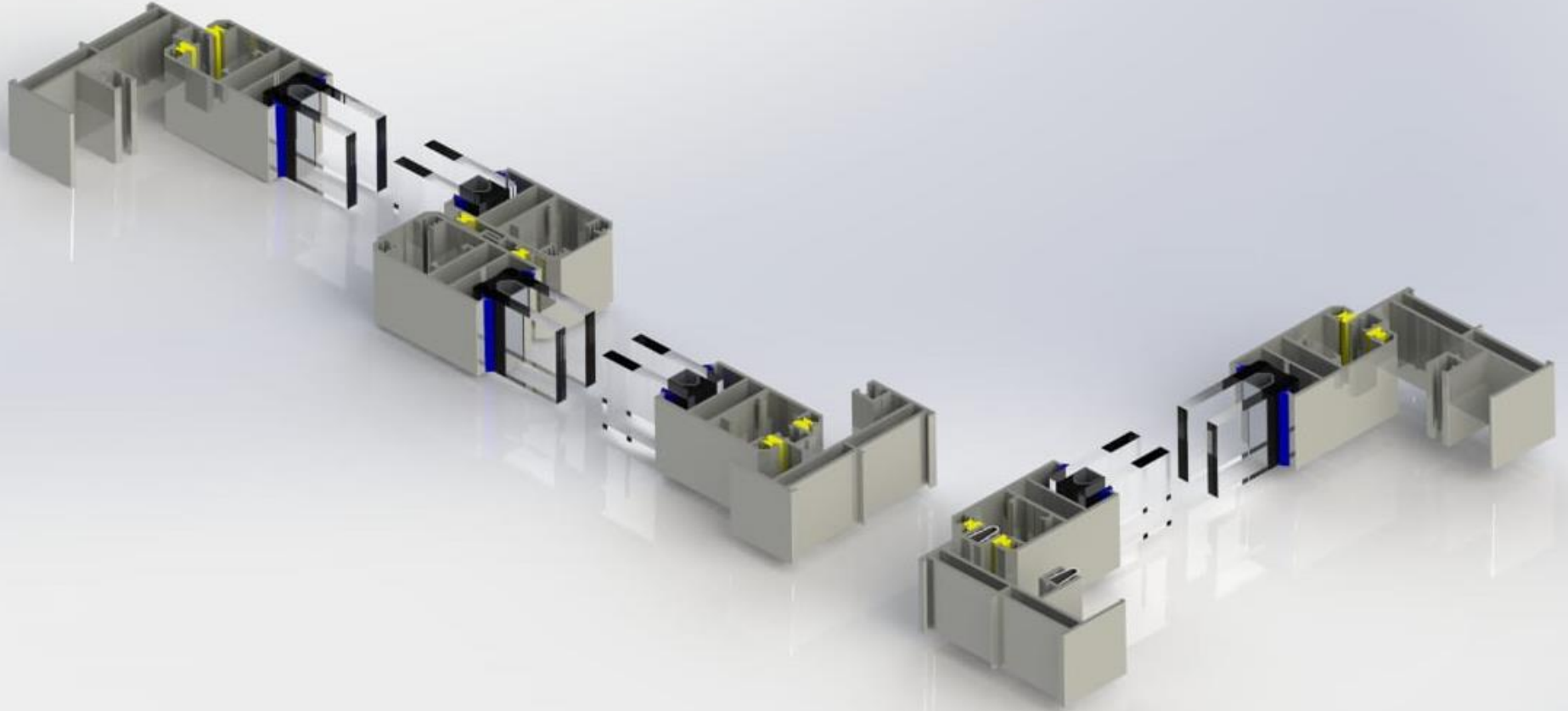
- 1) Aluminum T6 Alloy 6063 Grade.
- 2) All the Aluminum profiles shall be supplied in Powder coating and Anodize finish
- 3) Accessories & Hardware: Single and Multi point Locking Handle in standard European black and white color, where applicable.
- 4) Saint Gobin, AIS, HNG Glass will be used
- 5) Coating will be carry a 15th to 20th. Years Warranty (60–70micron Qualiquote standers)
Anodize will be carry a 10th to 15th. Years Warranty (20–25micron Qualiquote standers)
- 6) MICRO CURING EPDM Gasket will be used in Window and Doors with TC
- 7) Windows and Doors are internally glazed for added security
- 8) Dow Corning branded sealants will be used in all Windows & Doors
- 9) Drainage will be incorporated in all Windows
- 10) All Windows are Pneumatically crimped or Mechanical Joint



Information Drawing – PS 45 Series



3D View – PS 45 Series



PLECTRA – PS 30 Sliding Series

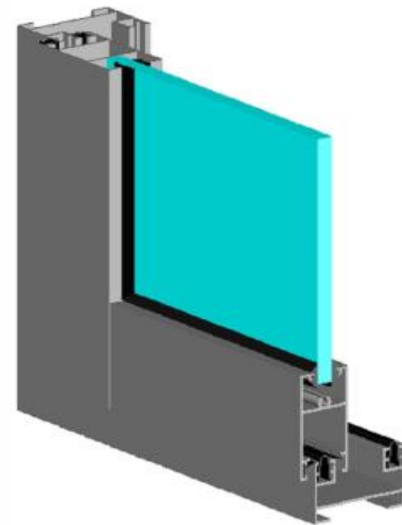
PRODUCT DETAILS

DESIGN :

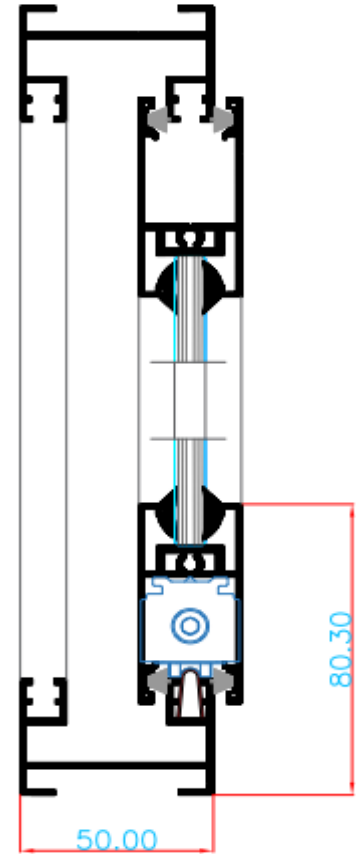
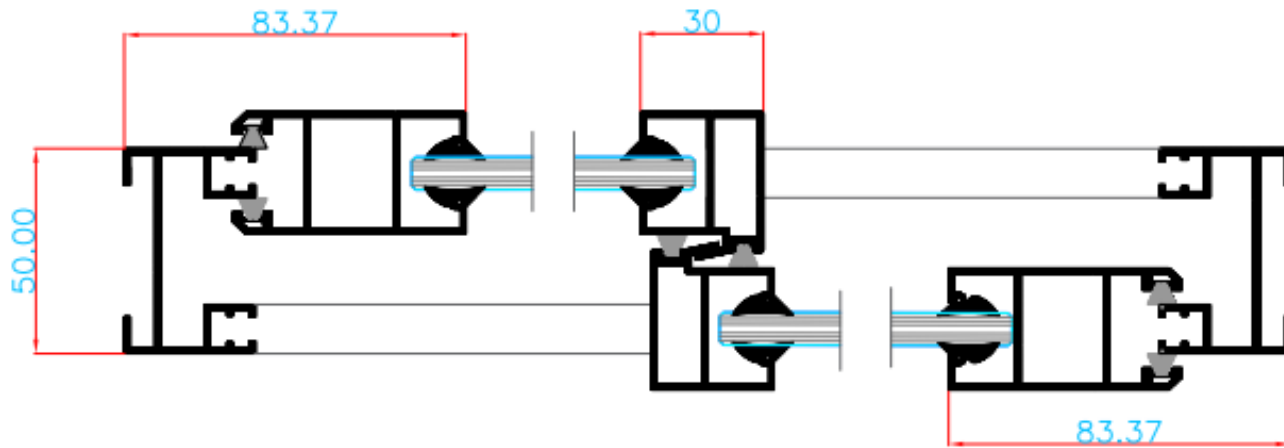
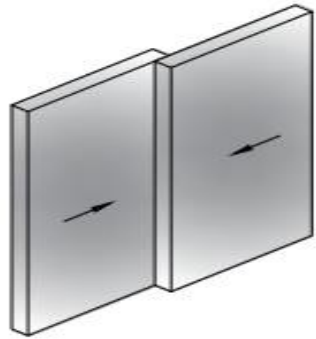
- 1) Two,Three Outer Frame Uses.
- 2) Glass Thickness Max:6mm Uses.
- 3) Sash Weight Capacity:90kg (1000mmx2130mm)
- 4) Sash Max Height 2130mm Uses.

Technical Details:

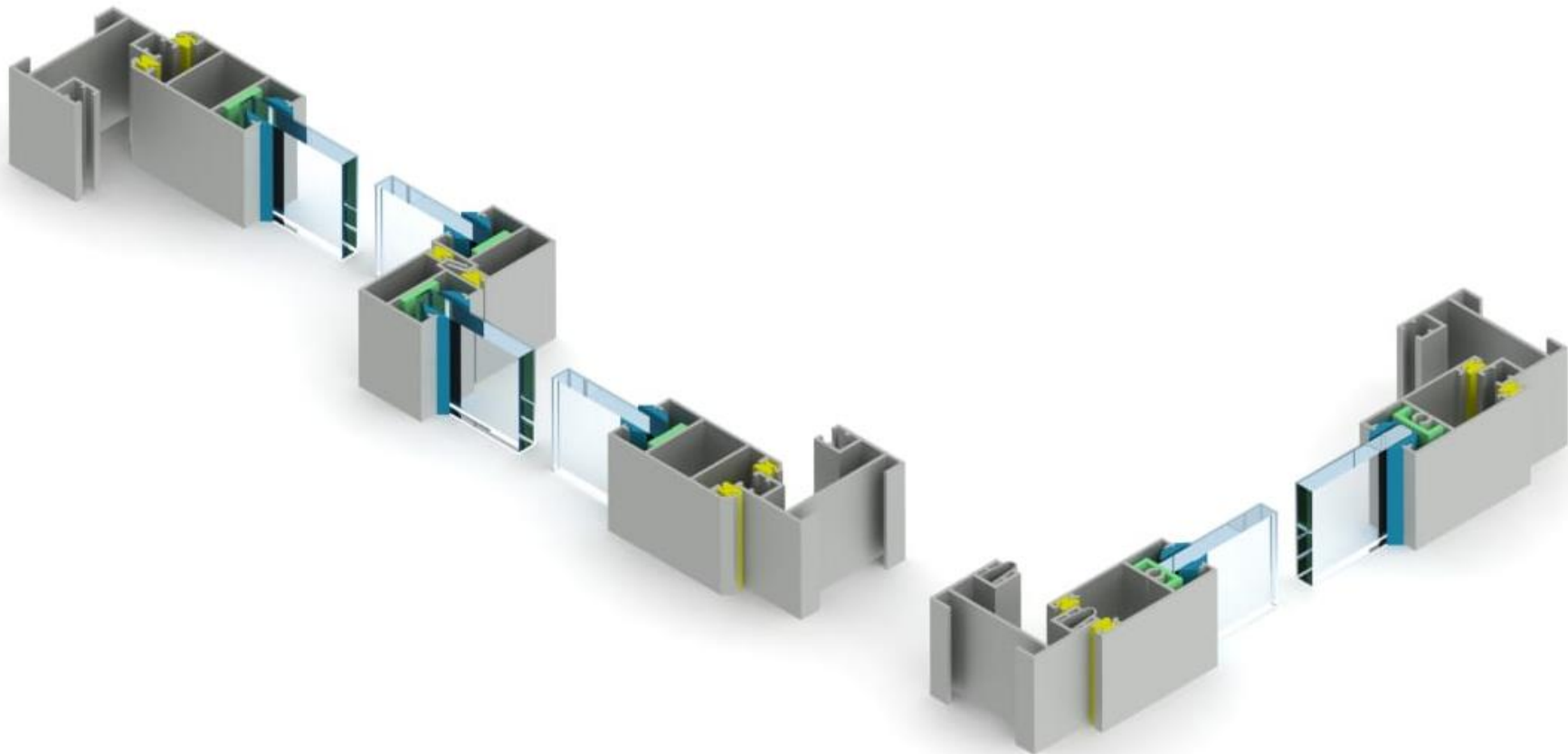
- 1) Aluminum T6 Alloy 6063 Grade.
- 2) All the Aluminum profiles shall be supplied in Powder coating and Anodize finish
- 3) Accessories & Hardware: Single Locking Handle in standard
- 4) Saint Gobin, AIS, HNG Glass will be used
- 5) Coating will be carry a 15th to 20th. Years Warranty (60–70micron Qualiquote standers)
Anodize will be carry a 10th to 15th. Years Warranty (20–25micron Qualiquote standers)
- 6) MICRO CURING EPDM Gasket will be used in Window and Doors with TC
- 7) Windows and Doors are internally glazed for added security
- 8) Dow Corning branded sealants will be used in all Windows & Doors
- 9) Drainage will be incorporated in all Windows
- 10) All Windows are Pneumatically crimped or Mechanical Joint



Information Drawing – PS 30 Series



3D View – PS 30 Series



PLECTRA – PC 45 Casement Series

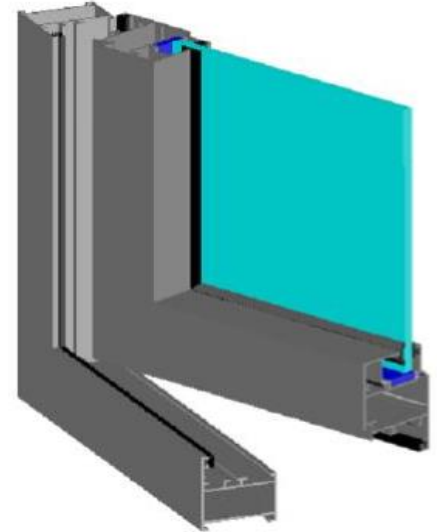
PRODUCT DETAILS

DESIGN :

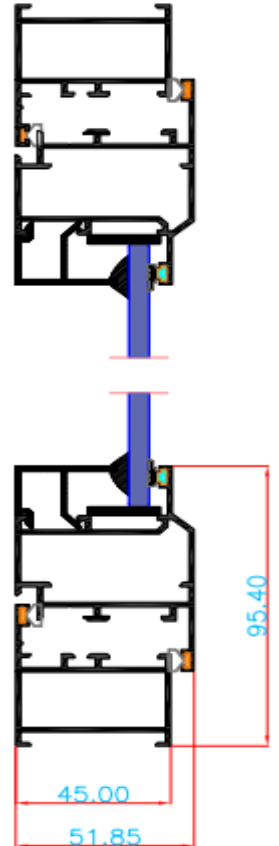
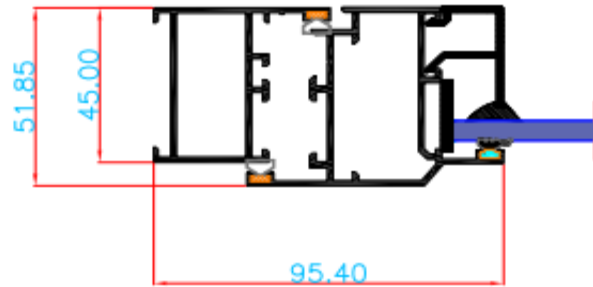
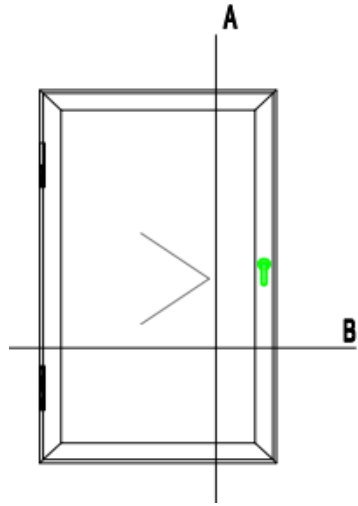
- 1) Fix, Openable , Top Hung and etc types.
- 2) Glass Thickness Max:26mm Uses.
- 3) Sash Weight Capacity:40kg (750mmx2100mm)
- 4) Profile Thickness 1.5mm uses.

Technical Details:

- 1) Aluminum T6 Alloy 6063 Grade.
- 2) All the Aluminum profiles shall be supplied in Powder coating and Anodize finish
- 3) Accessories & Hardware: Single and Multi point Locking Handle in standard European black and white color, where applicable.
- 4) Saint Gobin, AIS, HNG Glass will be used
- 5) Coating will be carry a 15th to 20th. Years Warranty (60–70micron Qualiquote standers)
Anodize will be carry a 10th to 15th. Years Warranty (20–25micron Qualiquote standers)
- 6) MICRO CURING EPDM Gasket will be used in Window and Doors with TC
- 7) Windows and Doors are internally glazed for added security
- 8) Dow Corning branded sealants will be used in all Windows & Doors
- 9) Drainage will be incorporated in all Windows
- 10) All Windows are Pneumatically crimped or Mechanical Joint



Information Drawing – PC 45 Series



PLECTRA – PC 95 (3 in 1) Casement Series

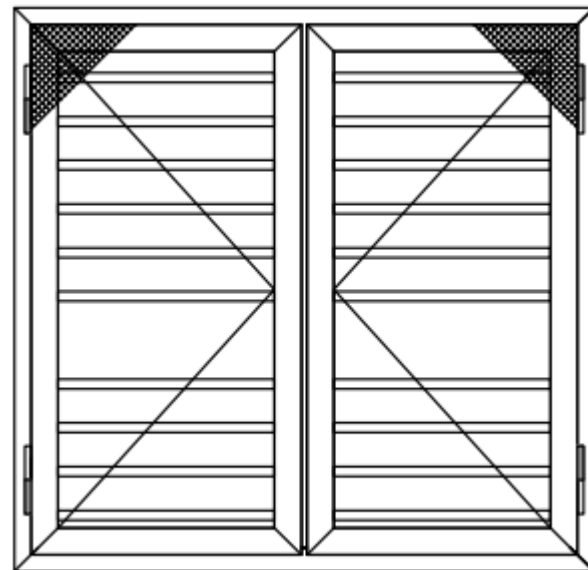
PRODUCT DETAILS

DESIGN :

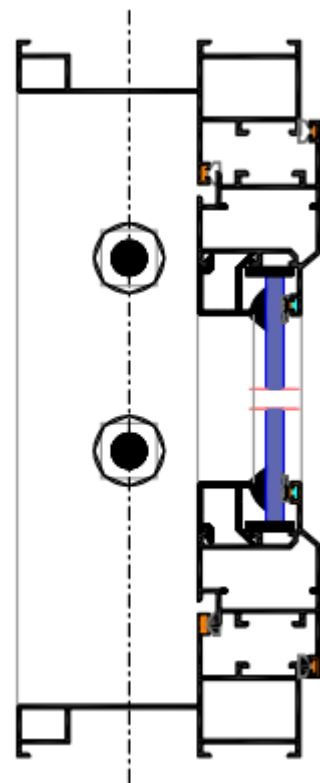
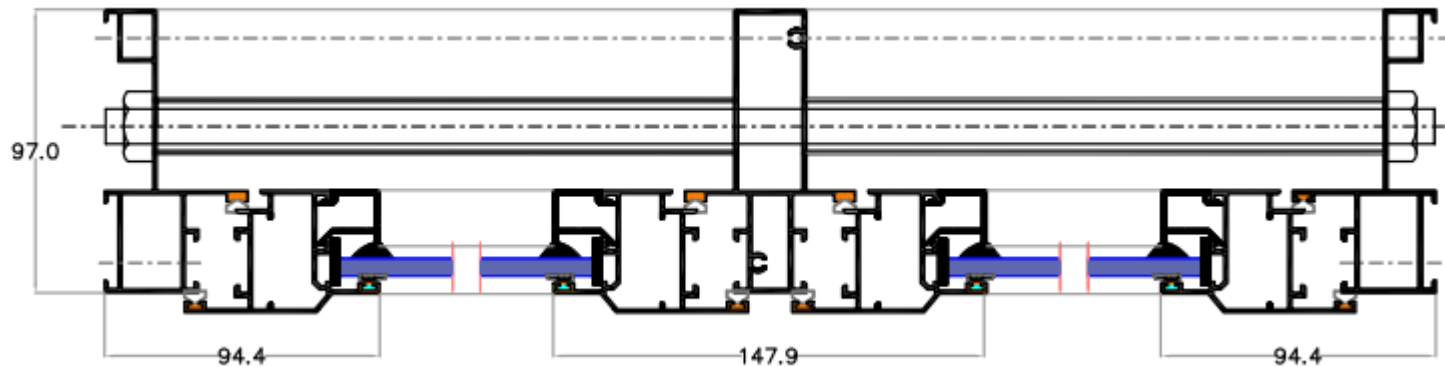
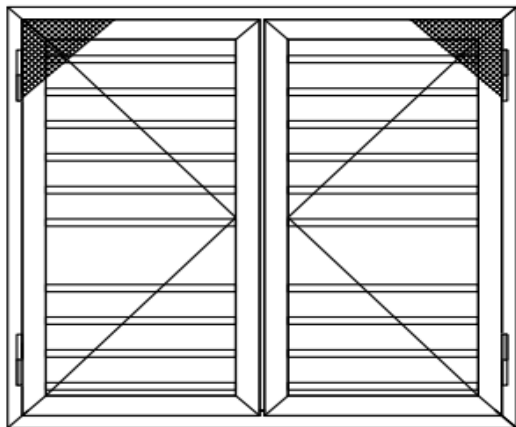
- 1) Fix, Openable , Top Hung and etc types.
- 2) Glass Thickness Max:18mm Uses.
- 3) Sash Weight Capacity:40kg (750mmx2100mm)
- 4) Profile Thickness 1.5mm uses.

Technical Details:

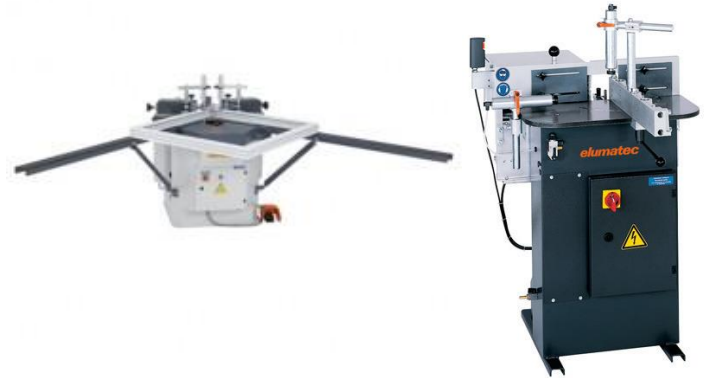
- 1) Aluminum T6 Alloy 6063 Grade.
- 2) All the Aluminum profiles shall be supplied in Powder coating and Anodize finish
- 3) Accessories & Hardware: Single and Multi point Locking Handle in standard European black and white color, where applicable.
- 4) Saint Gobin, AIS, HNG Glass will be used
- 5) Coating will be carry a 15th to 20th. Years Warranty (60–70micron Qualiquote standers) Anodize will be carry a 10th to 15th. Years Warranty (20–25micron Qualiquote standers)
- 6) MICRO CURING EPDM Gasket will be used in Window and Doors with TC
- 7) Windows and Doors are internally glazed for added security
- 8) Dow Corning branded sealants will be used in all Windows & Doors
- 9) Drainage will be incorporated in all Windows
- 10) All Windows are Pneumatically crimped or Mechanical Joint



Information Drawing – PC 45 Series



Elumatec German Machinery



THANK YOU



Plectra Façade Industries LLP.

Factory : Dharti-Apollo Indus. Park,
Chhatral-Kadi Road, Chhatral, Tal: Kalol,
Dist: Gandhinagar 382729

Office : 115 & 204 ,Coral Complex, Science City
Road, Sola, Ahmedabad 380060



7574820998 / 5 / 3



www.plectra-facade.com



sales@plectra-facade.com



info@plectra-facade.com